

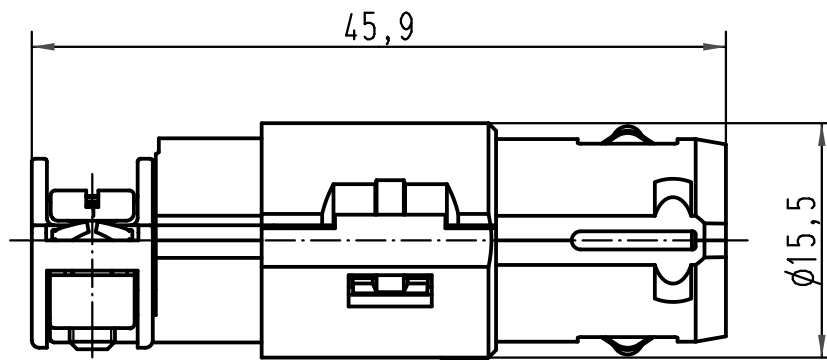
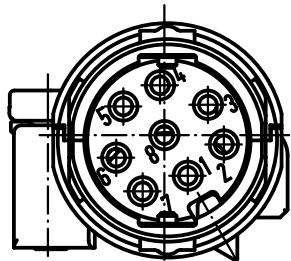
1 2 3 4 5 6

A

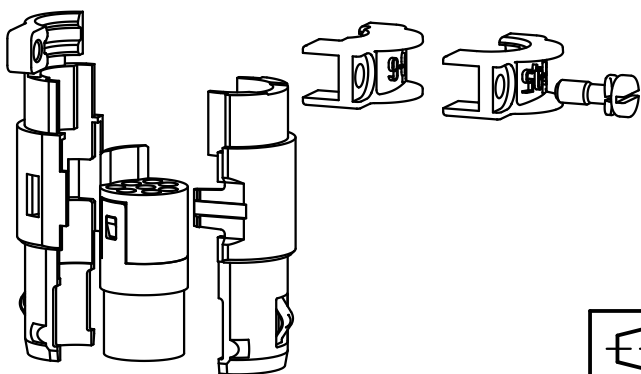
B

C

D



3-6mm 6-9,5mm



Lieferform: Einzelteile
Kind of delivery: piece parts

| | | | | | | |
|---|----------|-------------------|--------------------------------|------|---|---|
| All Dimensions in mm Original Size DIN A 4 | | Techn. Character. | | | Nicht tolerierte Maßel/Free size tolerances | |
| | | | Dat. | Name | Maßstab/Scale 2:1 | Han High Density Quintax-F-c Kabeldurchmesser: 3-6 und 6-9,5mm cable diameter: 3-6 and 6-9.5mm |
| | | Detail. | 15.01.09 | Bor | | |
| | | Insp. | | Grie | | |
| | | Stand. | | | | |
| B | 16.04.09 | Ho | HARTING Electric GmbH & Co. KG | | | TB 09 15 008 3113 |
| A | | | D-32339 Espelkamp | | | |
| Mod. | Dat. | Name | | | | Sub. TB 09 15 008 3113 v. 09.12.04 |

Blatt/ page